

# Installation Guidelines

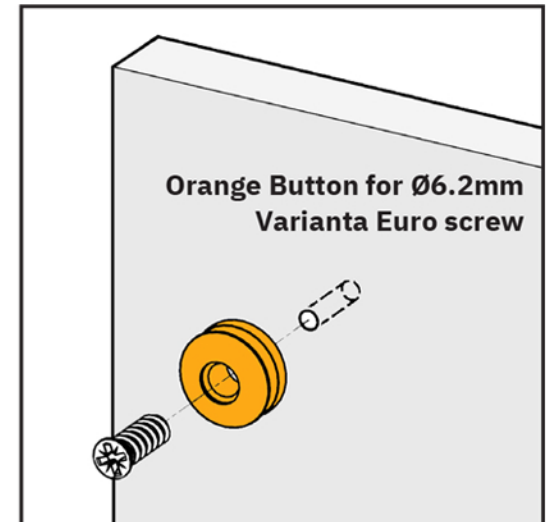
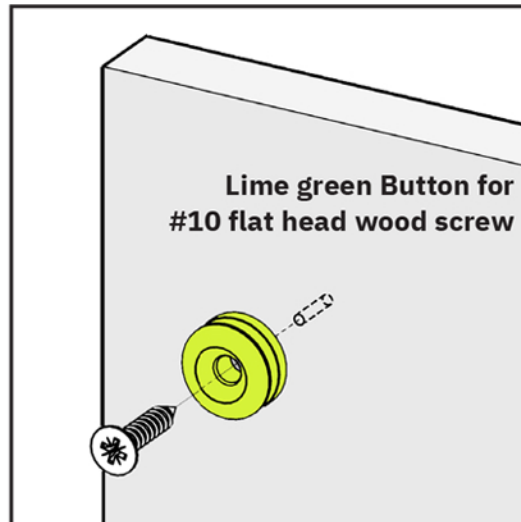
## Type 2 button-fix



### The button

There are two Buttons to suit different screw types. These are colour-coded lime green for #10 flat head wood screws, or orange for Ø6.2mm Varianta Euro screws (to fit Ø5mm pilot holes).

Check with your panel supplier which screw type is best for your application.

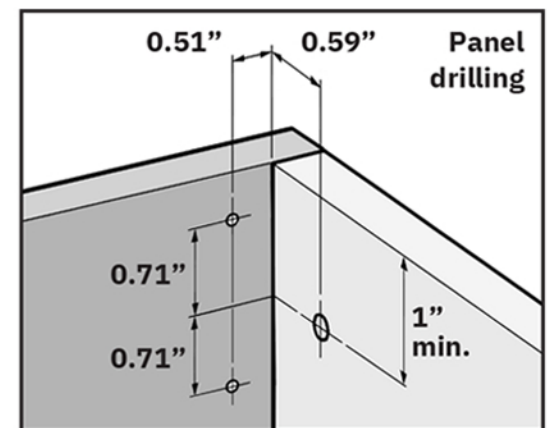
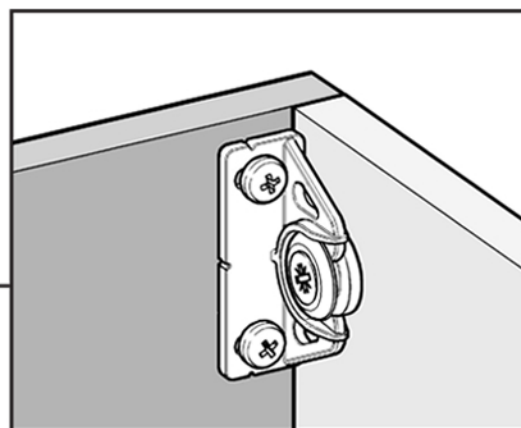


### Installation

The Type 2 Fix can be mounted to suit an overflying panel or internal panel arrangement.

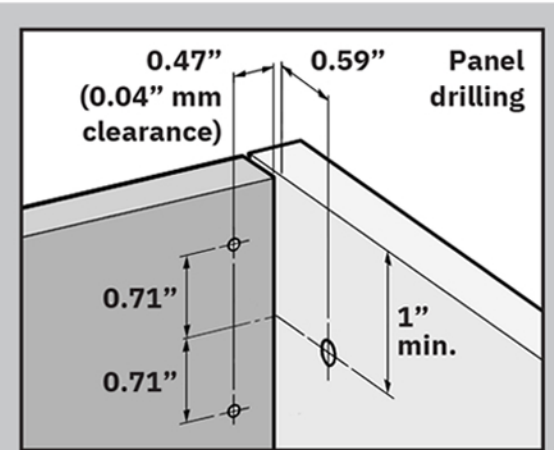
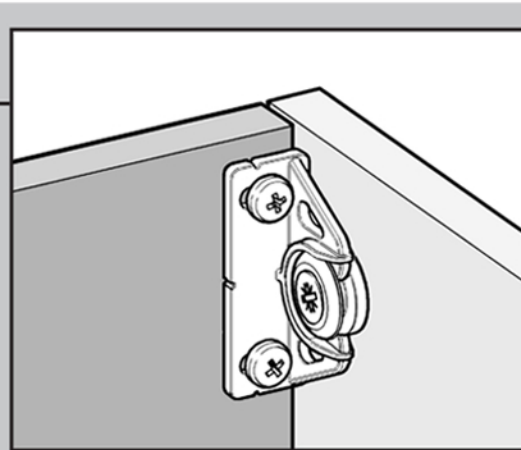
#### 1. Overflying panel

The Type 2 Fix is attached to the removable panel as shown in the diagrams on the right, with fixing centres measured 0.51" in from the surface onto which the Button is fixed.



#### 2. Internal panel

The Type 2 Fix is attached to the removable panel as shown in the diagrams on the right, with fixing centres measured 0.47" in from the edge of the panel, giving a 0.04" clearance between the panel and the surface onto which the Button is fixed.

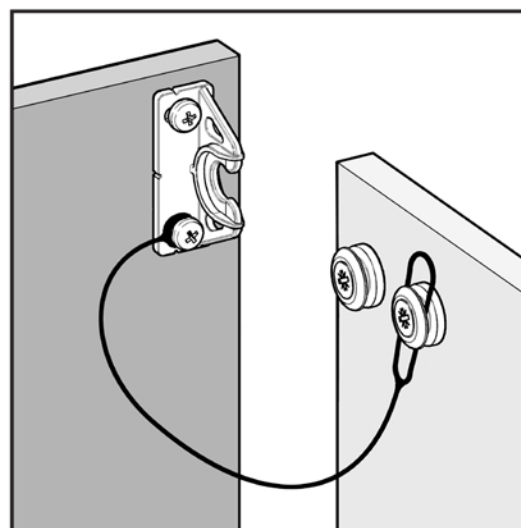


### Safety Cord accessory

In situations where safety is an issue, install two Safety Cords, one to each Fix in the top corners.

An additional Button is used to capture the loop on the Safety Cord, installed adjacent to the fixing Button. To remove the panel completely, ease the loop on the Safety Cord off the Button.

**Please note that the Safety Cord accessory needs to be ordered separately from the Button-fixes.**



Mbs Standoffs  
5046 W. Linebaugh Ave.  
Tampa, FL, 33624



Phone: (813)-938-6025  
Fax: 1-813-425-9007  
email: sales@mbs-standoffs.com

# Installation Guidelines

## Type 2 button-fix (Continued)



### Fix marker accessory

The Fix marker accessory aids swift panel mounting, reducing the need for measuring and marking out.

#### 1. Overflying panel

The marker and Button-fix are assembled as shown in diagram A and used to mark the Button position (B).

After fixing the Button, the removeable panel is then pushed firmly against the marker spikes, giving an accurate position for the Fix (C).

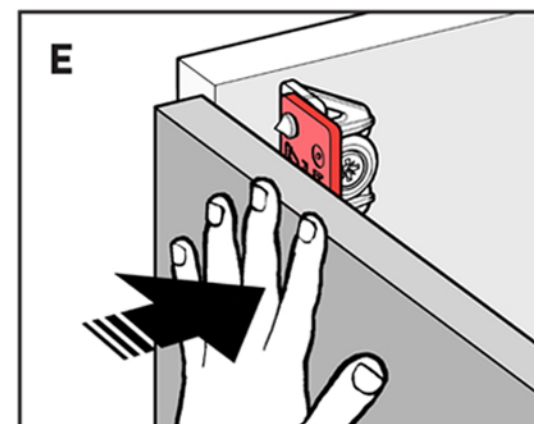
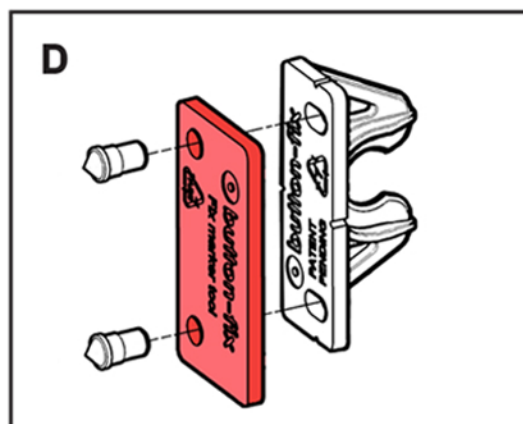
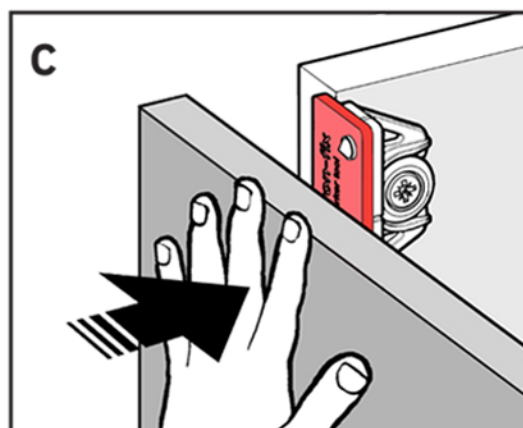
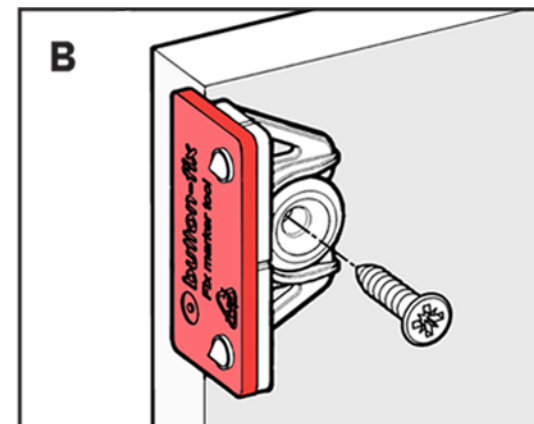
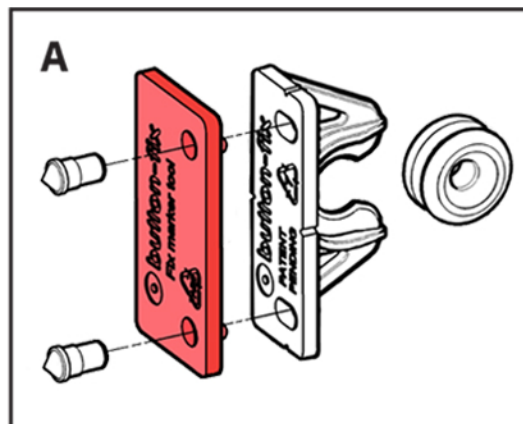
#### 2. Internal panel

The marker can also be used for internally mounted panels, but must be assembled as shown (D).

The Button is marked out and fixed at the required position (this will depend on the panel thickness), before installing the marker tool and pushing the panel firmly against the marker spikes (E).

Tip: use some adhesive tape to stop the assembly rotating on the Button.

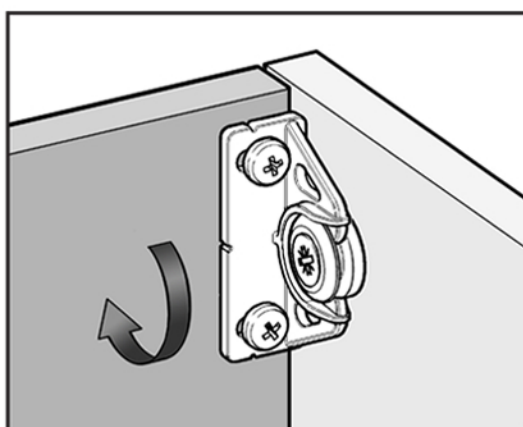
**Please note that the Fix marker accessory needs to be ordered separately from the Button-fixes.**



### A simple hinge

When a Type 2 Fix is used to hold an internal panel, the panel may rotate about two Fixes provided that there is sufficient clearance around the panel.

In this way, the Type 2 Fix can be used to create simple pivoted access panels.



### Suggested layout

As an approximate guide, we suggest that Type 2 Fixes are spaced no greater than 24" apart. This may vary, dependent upon the mass and stiffness of the panel.

The Type 2 Fixes may be installed in a vertical or horizontal orientation, or a combination of both (as shown).

