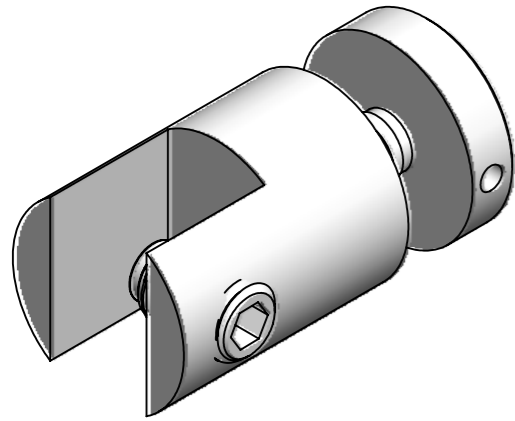
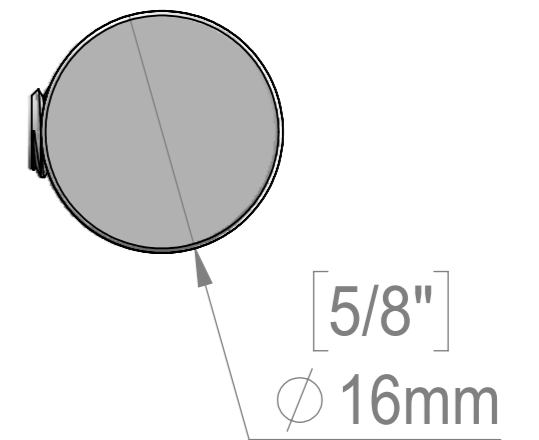
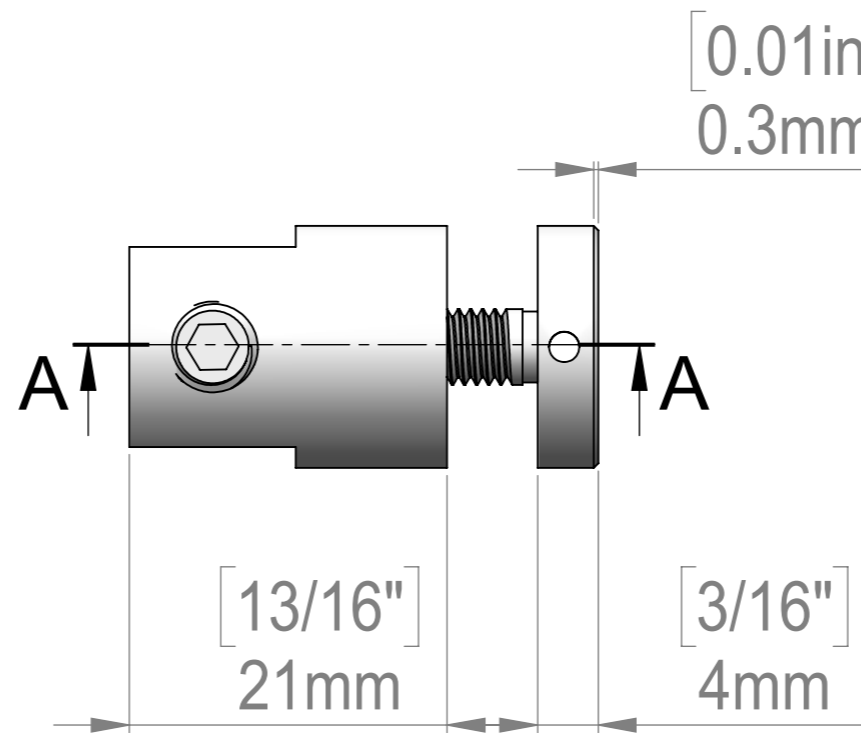
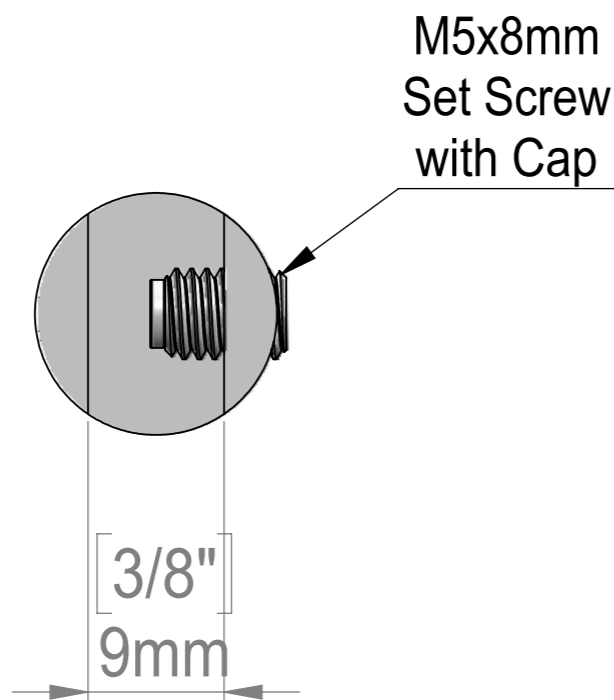
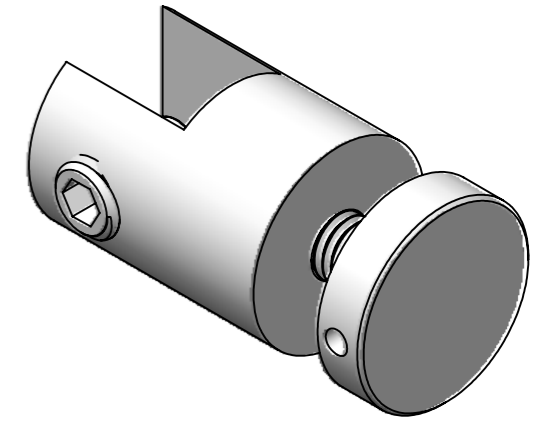
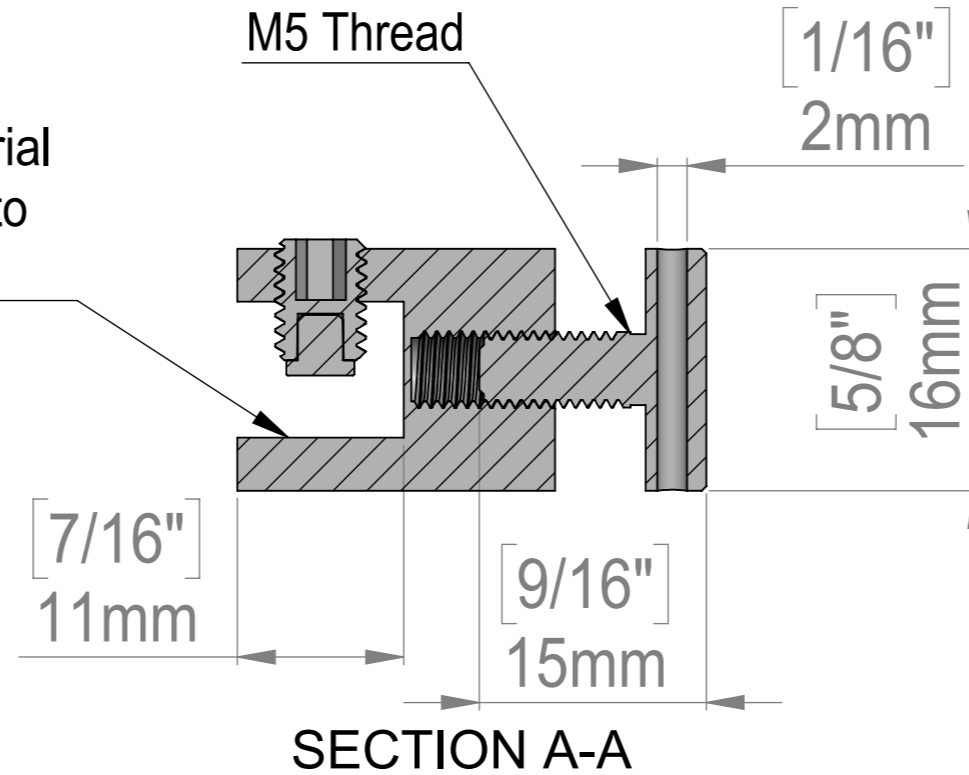


Title : SG28X30			Scale : 3.5:1	Mbs R&D	
			Sizes : Letter Landscape	Customer:	
 Htm-Mbs 5046 W Linebaugh Tampa, FL 33624 T:1-813-938-6025		Material: Cast Acrylic	Finish: Clear Polished Edges	Qty: Set of 2	Rep :
		N°programme laser	N°prog. Mécanum.	N° Plan : Foot-1-300	



Maximum Material Thickness Up to 5/16"



Title : PS0380			Scale : 3.5:1	Mbs R&D	
			Sizes : Letter Landscape	Customer:	
 Htm-Mbs 5046 W Linebaugh Tampa, FL 33624 T:1-813-938-6025	Material: Cast Acrylic	Finish: Clear Polished Edges	Qty: 1	Rep :	
	N°programme laser	N°prog. Mécanum.	N° Plan : PS0380		