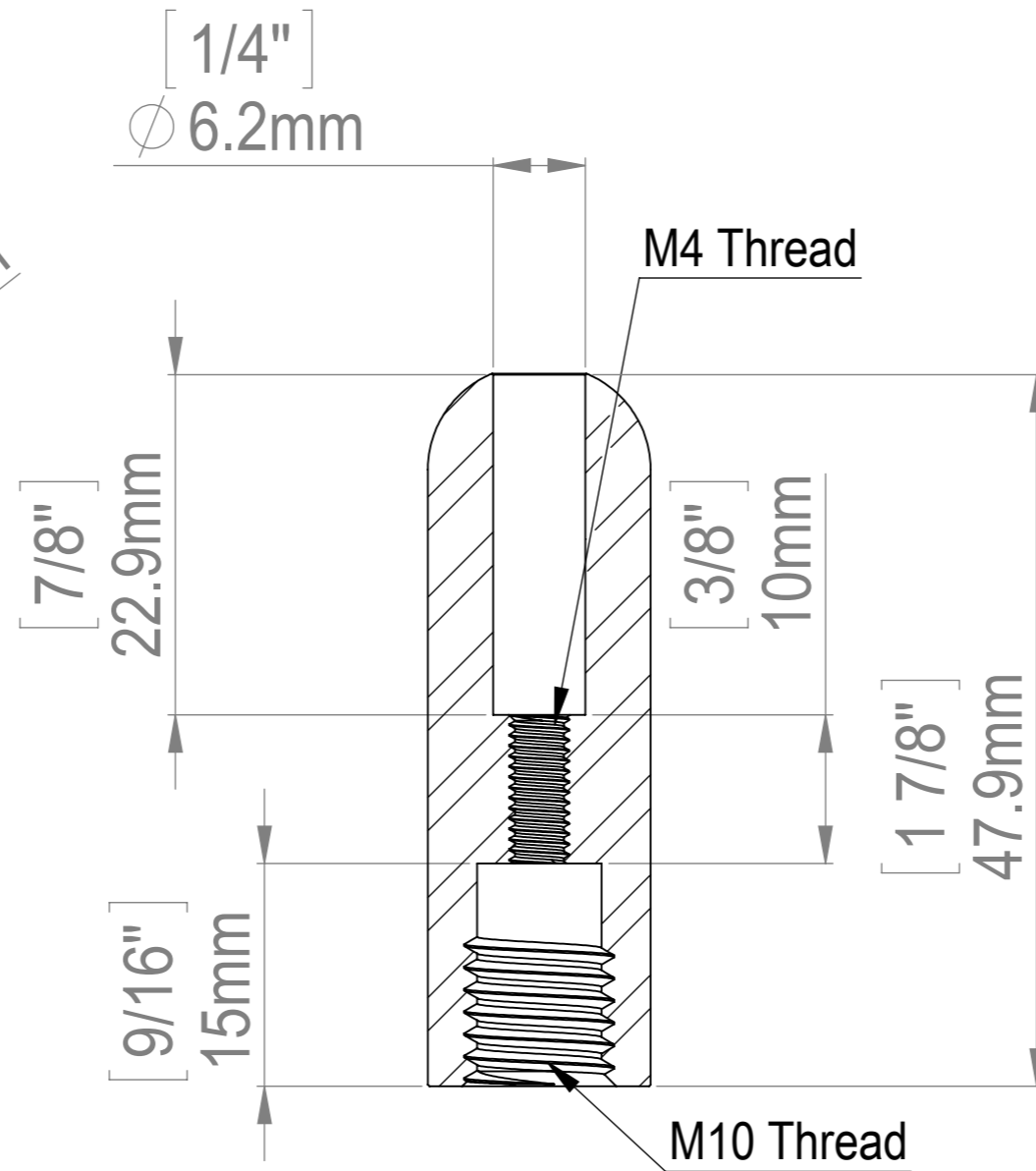
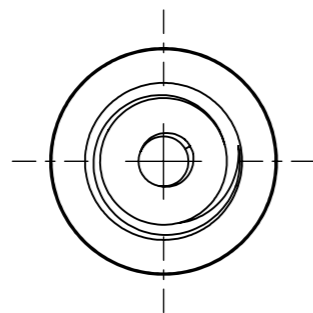
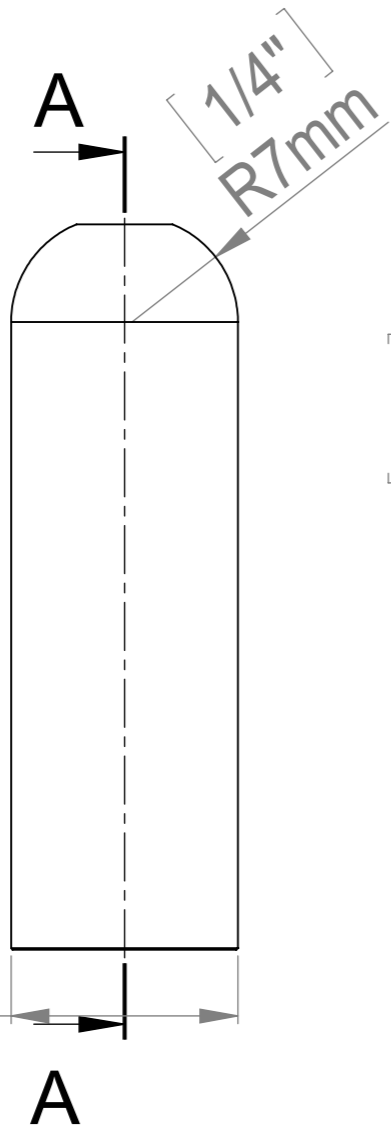
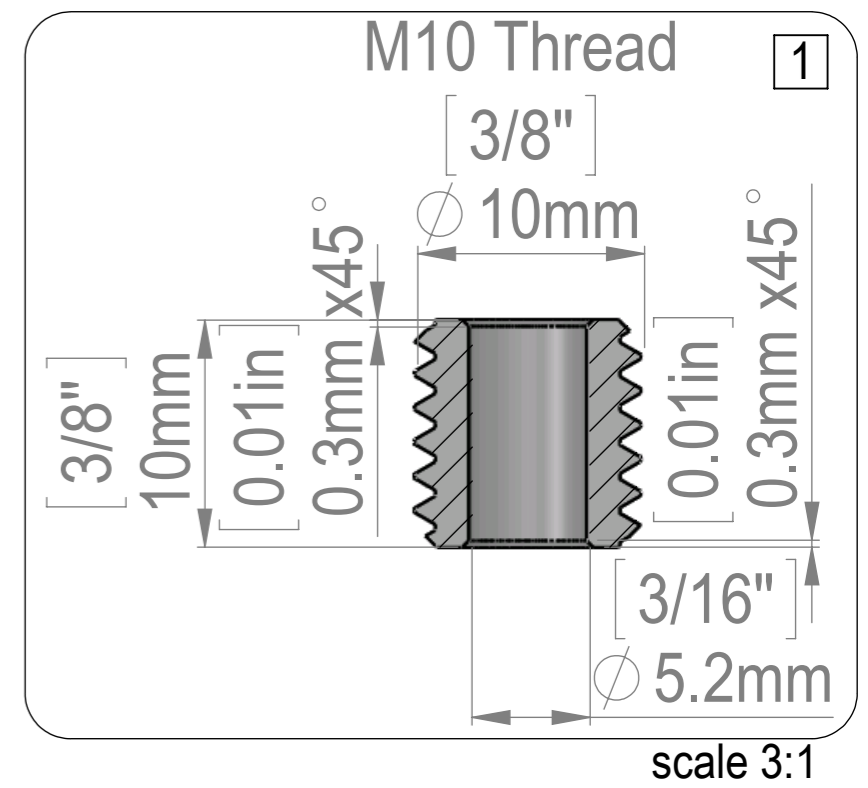


[9/16"]
∅ 15mm



SECTION A-A



ITEM NO.	PART NUMBER	DESCRIPTION	QTY.
1	100.363 Support M10		1
2	100.363-SR Body		1

Title : 100.363-SR			Scale : 1.5:1	Mbs R&D	
			Sizes : Letter Landscape	Customer:	
Mbs Standoffs 6420 Benjamin Rd Tampa, FL 33634 USA 813-938-6025		Material:	Finish	Qty :	Rep :
N°programme laser		N°prog. Mécanum.	N° Plan : 100.363-R		