

M10 Thread

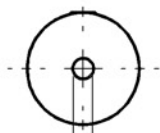
[0.59in]
 ϕ 15mm

A

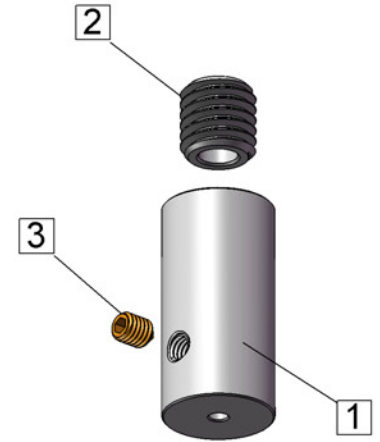
[1.18in]
 30mm

M4 Set Screw

A



[0.10in]
 ϕ 2.55mm



[0.39in]
 ϕ 10mm

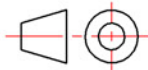
M10 Thread

[0.10in]
 ϕ 2.55mm

SECTION A-A

Item	Qty.	Description
[1]	1	100.268 Body
[2]	1	100.268 Support (M10 Thread)
[3]	1	M4x6mm Set Screw

Title : **100.268**



Scale : 1:1

Mbs R&D

Sizes : Letter Portrait

Customer:



MBS Sign USA
 Tel.: 352-593-4151
 Fax: 352-796-4437
 Brooksville, FL

Material:

Finish

Qty :

Rep :

N°programme laser

N°prog. Mécanum.

N° Plan : 100.268